

ATTACHMENTS FOR SIMPLEX Ø56

Rabe	Item Num.	Price excl. VAT
Power harrow MKE with Accord seeder	8447 1010	
Power harrow PKE	8447 2000	
Power harrow SKE for screwing on to available support arms	8447 3000	
Power harrow SKE spring weight alleviation screwed on	8447 3010	
Power harrow SKE spring weight alleviation welded on	8447 3020	
Power harrow HKE for screwing, hole spacing = 40 mm	8447 5000	
Power harrow HKE for screwing, hole spacing = 60 mm	8447 5010	
Power harrow VKE for screwing on to available support arms	8447 6000	
Power harrow CKE for screwing on to available support arms	8447 5020	
Raising coulter bar Accord, 2 pcs.	8241 0010	
Rau	Item Num.	Price excl. VAT
Use SX 56 with frame 140 x 140 mm		
Rototiller and Cyclotiller from construction year 1986 with telescopic support to 3.5 metres	8448 0100	
Scima	Item Num.	Price excl. VAT
Power harrow ERS / King / Super (with pin adjustment) for screwing on support arms	8419 7000	
Vogel and Noot	Item Num.	Price excl. VAT
Power harrow Arterra XS	8449 9001	

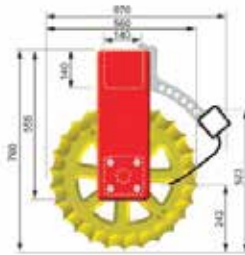
SIMPLEX Ø56

with frame - **Special cast iron**

Suitable only for deep cultivators!
Not for mounting on power harrows!

Standard equipment:

- Big ball bearings with dust caps
- Frame 140 x 140 mm
- Contact-free scraper system, height-adjustable
- Without headstock, without attachments



Basic machine

Type	Working width	Frame width	Num. of rings	Material	Weight	Item Num.	Price excl. VAT
SX 26-56	2.45 m	2.60 m	19	Special cast iron	590 kg	6196 6000	
SX 27-56	2.60 m	2.75 m	20	Special cast iron	620 kg	6196 7000	
SX 30-56	2.90 m	3.00 m	22	Special cast iron	680 kg	6196 8000	
SX 32-56	3.10 m	3.25 m	24	Special cast iron	736 kg	6196 9000	
SX 41-56	3.95 m	4.10 m	30	Special cast iron, with centre bearing	973 kg	6197 3000	
SX 46-56	4.50 m	4.65 m	34	Special cast iron, with centre bearing	1,100 kg	6197 6000	

Other working widths are available on request

Road lighting kit (LED)

Name	Note	Weight	Item Num.	Price excl. VAT
For front linkage	Frame 140 x 140 mm for self-assembly	15 kg	1127 3120-2	
For rear linkage	Frame 140 x 140 mm for self-assembly	15 kg	1127 3210-2	

Name	Note	Weight	Item Num.	Price excl. VAT
Headstock	Prepared for tined unit	130 kg	8030 4250	
U-stand		10 kg	8030 4001	
Adaptations	For triangular linkage Accord front hopper DF 1 + DF 2	20 kg	7813 0100	

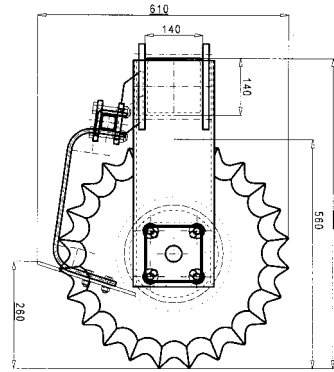
SIMPLEX Ø56

with frame - Synthetic Ultra

For very light soils with low load capacity
at high speeds
at very heavy loads

Standard equipment:

- Big ball bearings with dust caps
- Frame 140 x 140 mm
- Contact-free scraper system, height-adjustable
- Without headstock, without attachments



Basic machine

Type	Working width	Frame width	Num. of rings	Material	Weight	Item Num.	Price excl. VAT
SX 26-56	2.45 m	2.60 m	19	Synthetic Ultra	470 kg	6197 6110	
SX 27-56	2.60 m	2.75 m	20	Synthetic Ultra	490 kg	6197 7110	
SX 30-56	2.90 m	3.00 m	22	Synthetic Ultra	530 kg	6197 8100	
SX 32-56	3.10 m	3.25 m	24	Synthetic Ultra	580 kg	6196 9100	
SX 41-56	3.95 m	4.10 m	30	Synthetic Ultra, with centre bearing	810 kg	6197 2110	
SX 46-56	4.50 m	4.65 m	34	Synthetic Ultra, with centre bearing	890 kg	6197 5110	

Other working widths are available on request

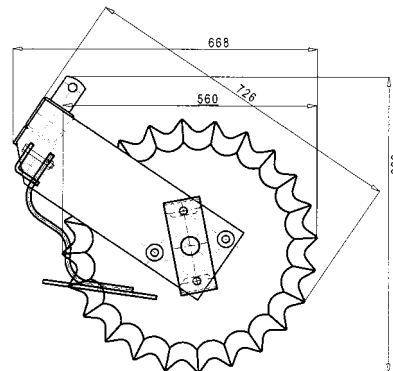
SIMPLEX Ø56

For side mounting - Synthetic Ultra

For very light soils with low load capacity
at high speeds
at very heavy loads

Standard equipment:

- Big ball bearings with dust caps
- Contact-free scraper system



Basic machine

Type	Working width	Frame width	Num. of rings	Material	Flange measure	Weight	Item Num.	Price excl. VAT
SX 26-56 KE	2.45 m	2.68 m	19	Synthetic Ultra	2,597 mm	392 kg	6196 6100	
SX 27-56 KE	2.60 m	2.83 m	20	Synthetic Ultra	2,730 mm	410 kg	6196 7100	
SX 30-56 KE	2.90 m	3.08 m	22	Synthetic Ultra	2,998 mm	447 kg	6196 8200	
SX 32-56 KE	3.10 m	3.35 m	24	Synthetic Ultra	3,266 mm	480 kg	6196 9200	
SX 41-56 KE	3.95 m	4.18 m	30	Synthetic Ultra, with centre bearing	4,101 mm	716 kg	6197 3100	
SX 46-56 KE	4.50 m	4.73 m	34	Synthetic Ultra, with centre bearing	4,636 mm	795 kg	6197 6100	

Other working widths are available on request

For a complete equipment you need:

1. Attachments for mounting the Prisma roller® on to the power harrow.
2. Simplex Prisma roller® in Special cast iron or Synthetic Ultra.

