

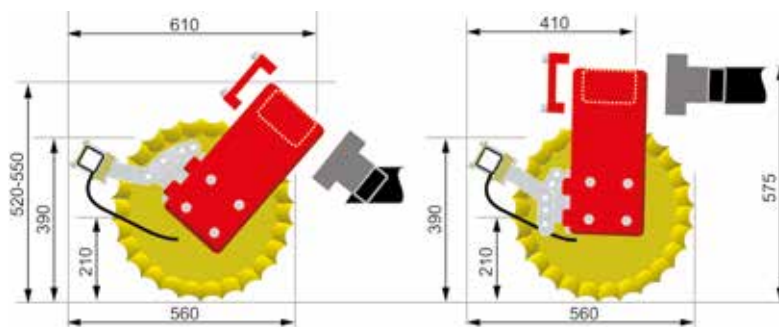
Simplex Ø45

Synthetic Ultra or Special cast iron

For medium to very heavy soils

Standard equipment:

- Big ball bearings with dust caps
- Frame 140 x 80 mm with centre bearing
- Contact-free scraper system, height-adjustable
- Without headstock, without attachments



Simplex Ø45 in special cast iron

Type	Working width	Frame width	Num. of rings	Weight	Item Num.	Price excl. VAT
SX 22-45	2.10 m	2.25 m	18	400 kg	6180 3010	
SX 23-45	2.25 m	2.40 m	19	420 kg	6180 3910	
SX 24-45	2.35 m	2.50 m	20	440 kg	6180 4000	
SX 26-45	For 2.50 m	2.60 m	21	460 kg	6180 4410	
SX 27-45	2.60 m	2.75 m	22	480 kg	6183 6000	
SX 30-45	For 3.00 m	3.00 m	24	520 kg	6183 7000	
SX 31-45	2.99 m	3.10 m	25	540 kg	6180 6110	
SX 32-45	For Dutzi KR 3000	3.08 m	26	560 kg	6183 8000	
SX 34-45	For Dyna-Drive 3 m	3.30 m	27	580 kg	6183 8310	
SX 35-45	3.42 m	3.50 m	28	600 kg	6183 8340	
SX 36-45	3.50 m	3.60 m	29	620 kg	6183 9000	
SX 37-45	For Dutzi KR	3.60 m	30	640 kg	6183 9510	
SX 41-45	For 4.00 m	4.00 m	33	690 kg	6184 1009	

Other working widths and rollers for foldable devices on request

Simplex Ø45 in Synthetic Ultra

Type	Working width	Frame width	Num. of rings	Weight	Item Num.	Price excl. VAT
SX 22-45 SU	2.10 m	2.25 m	18	265 kg	6180 3020	
SX 23-45 SU	2.25 m	2.40 m	19	276 kg	6180 3920	
SX 24-45 SU	2.35 m	2.50 m	20	285 kg	6180 4110	
SX 26-45 SU	For 2.50 m	2.60 m	21	295 kg	6180 4420	
SX 27-45 SU	2.60 m	2.75 m	22	305 kg	6183 6100	
SX 30-45 SU	For 3.00 m	3.00 m	24	326 kg	6183 7100	
SX 31-45 SU	2.99 m	3.10 m	25	336 kg	6180 6120	
SX 32-45 SU	For Dutzi KR 3000	3.08 m	26	345 kg	6183 8100	
SX 34-45 SU	For Dyna-Drive 3m	3.30 m	27	362 kg	6183 8320	
SX 35-45 SU	3.42 m	3.50 m	28	368 kg	6183 8345	
SX 36-45 SU	3.50 m	3.60 m	29	400 kg	6183 9100	
SX 37-45 SU	For Dutzi KR	3.60 m	30	410 kg	6183 9520	
SX 41-45 SU	For 4.00 m	4.00 m	33	440 kg	6184 1109	

Other working widths and rollers for foldable devices on request

Road lighting kit (LED)

Descriptor	Note	Weight	Item Num.	Price excl. VAT
For front linkage	Frame 140 x 80 mm for self-assembly	15 kg	1127 3110-2	
For rear linkage	Frame 140 x 80 mm for self-assembly	15 kg	1127 3200-2	

Options	Note	Weight	Item Num.	Price excl. VAT
headstock DPT 45	Prepared for tined unit	130 kg	8030 4050	
U-stand	Frame 140 x 80 mmw	10 kg	8030 4001	
Adaptations for triangular linkage Accord	Suitable for front hopper DF 1 + DF 2	20 kg	7813 0150	

For a complete equipment you need:

1. Attachments for mounting the prisma roller® to the power harrow.
2. Simplex prisma roller in Special cast iron or Synthetic Ultra.