

Wox Agri Services Ltd  
Stannington  
Morpeth  
Northumberland  
NE61 6NQ

Data Sheet

## **Walrus PTO Pump**

### **PTO Drive**

20 spline 1 $\frac{3}{4}$ " PTO Drive

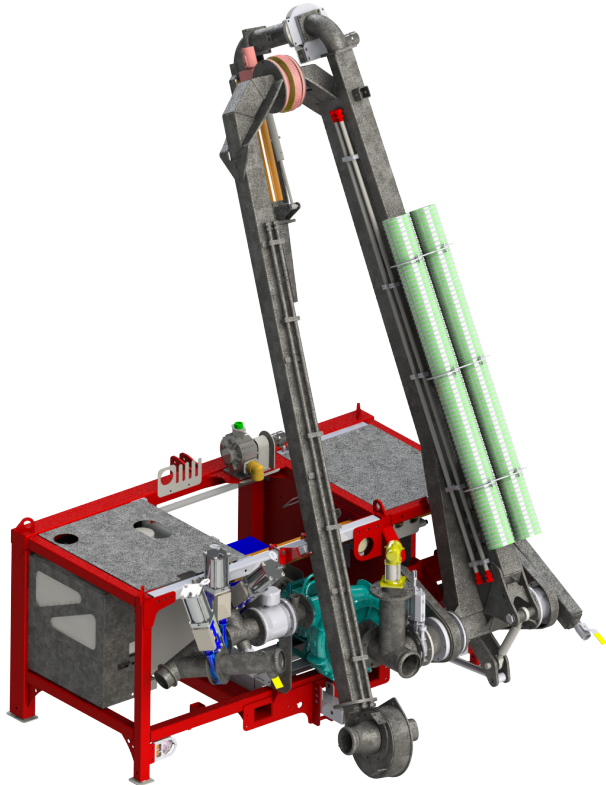
### **Integrated Hydraulic System**

Engaging the pump's own hydraulic system (with a 300-litre capacity) will drive the integrated charge pump, which in turn will allow the main pump to operate at maximum potential and efficiency. This is the most cost-effective and efficient way to operate the charge pump, as it does not compromise the tractor's hydraulics.

### **Hydraulic Operations**

The tractor hydraulics remain functional ; they are now utilized to:

- Lower and lift the main arm, rotating it as required for both above and below ground applications.
- Operate the in-built jetter through 360 degrees in the horizontal plane and 170 degrees in the vertical plane.
- Operate the primer pump.
- Operate the in-built pressure washer, complete with a 105-litre water tank and frost drain, and the automatic hose reel return with 15 metres of pipe.
- An NBA hydraulic diverter block allows a reduction of tractor spool valves as follows: one service for the arm and the other for the jetter control.



## Fully integrated pipework

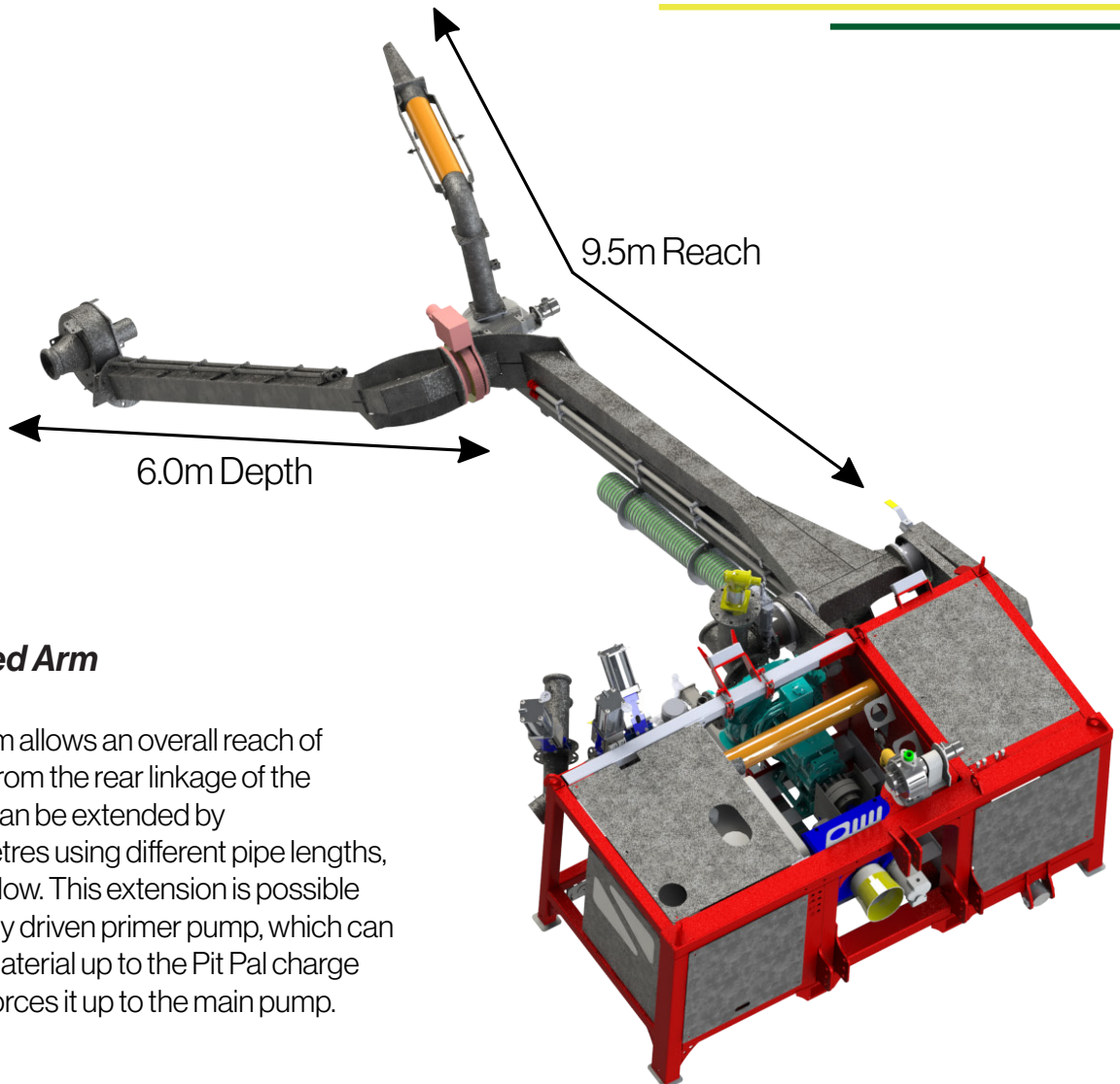
The pipe work for the unit is fully integrated to allow for various requirements:

- Direct feeding from a lagoon or store.
- Stage pumping facility.
- Recirculation and homogenizing (jetting).
- The valve management uses pneumatically controlled 16 BAR working pressure valves, powered through the tractor air system.
- The valves can be operated by a two-way handheld radio, allowing for swift and seamless diversion of fluids and the ability to blow out the lines without loss of pressure.

## Safety and Monitoring

Additional features are as follows:

- 5" Krohne flowmeter.
- Pressure gauges for monitoring output pressure.
- Full road and work lights.
- Frost drains as required.
- Work support stands.
- Drawbar for towing a compressor.
- Fully galvanized and three-pack paint finish.



## Wox Walrus Feed Arm

The Walrus feed arm allows an overall reach of around 9.5 metres from the rear linkage of the tractor. This reach can be extended by approximately 6 metres using different pipe lengths, where conditions allow. This extension is possible due to a hydraulically driven primer pump, which can be operated to lift material up to the Pit Pal charge pump, which then forces it up to the main pump.

## Pumps

The Walrus PTO Pump was originally designed to incorporate the use of the Cornell Pump range, but it has become clear that the addition of both Doda and Bauer Pumps was necessary. They are now available and run the same hydraulic system, valve, and mechanical setup as the Cornell unit.



# Find out **MORE!**

